

**IEC** | **Model MTP80B4DP-B5**  
MFG PN: T802-4

# Model MTP80B4DP-B5

## Product Data Package



MODEL	HP	RPM	VOLTAGE	PHASE	Hz	FRAME	MOUNT	ENCLOSURE
MTP80B4DP-B5	1	1745	230/460	3	60	80	B5	TEFC

### Toronto

TOLL FREE 1.888.286.1820  
PHONE 905.829.1001  
EMAIL info@techttopcanada.com

### Montreal

TOLL FREE 1.844.354.5111  
PHONE 514.354.1002  
EMAIL infoQC@techttopcanada.com

### Moncton

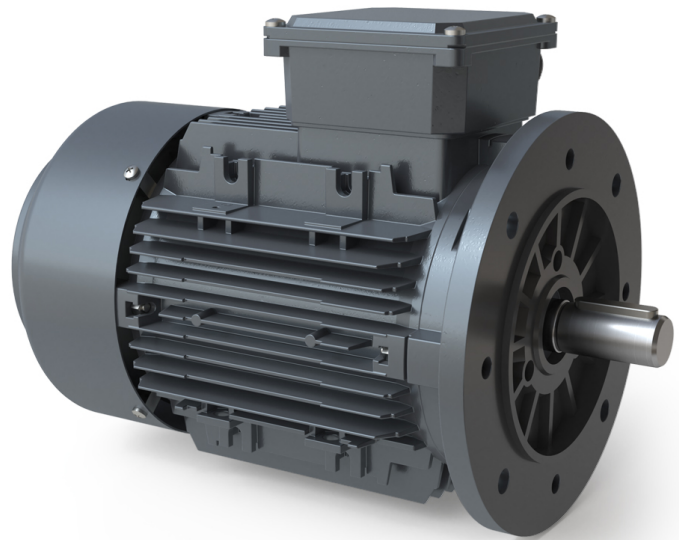
PHONE 506.386.5794  
EMAIL infoNB@techttopcanada.com

### Winnipeg

PHONE 204.633.2779  
EMAIL infoMB@techttopcanada.com

### Vancouver

PHONE 604.525.1551  
EMAIL infoBC@techttopcanada.com



### Index

Motor General Data Sheet	P 2
Nameplate Information	P 3
Technical Performance Data	P 4
Motor General Wiring Diagram	P 5
Motor General Outline Drawing	P 6



**Model MTP80B4DP-B5**  
**MFG PN: T802-4**

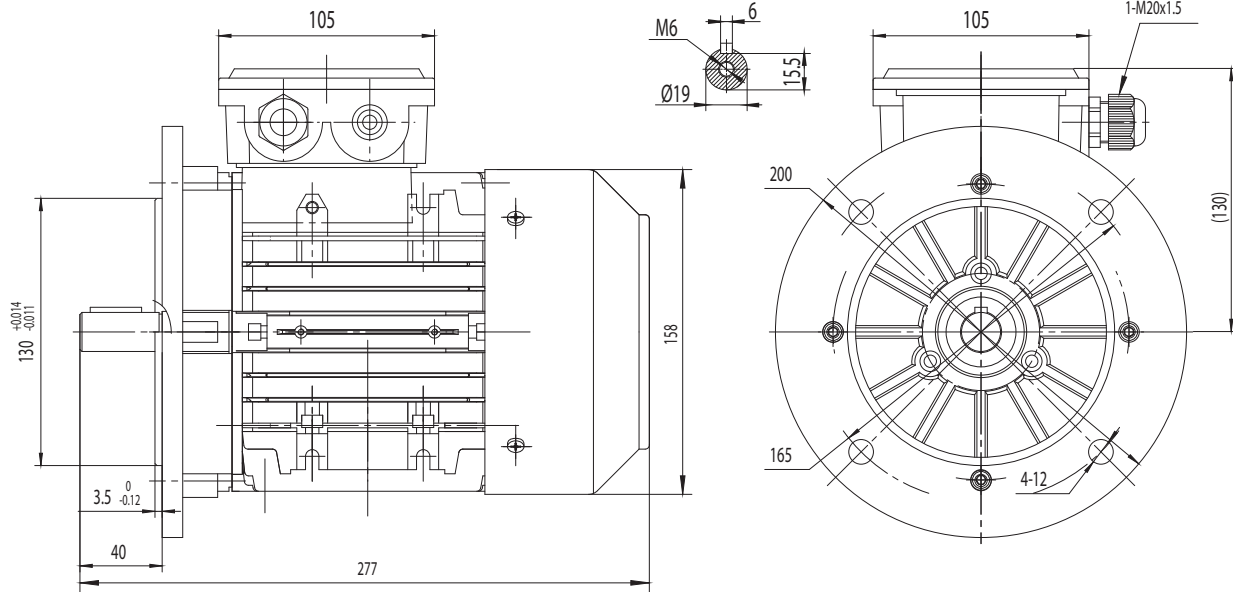
ELECTRICAL DATA		
Rated Motor Output Power	1	HP
	0.75	kW
Rated Motor Speed	1745	r/min 60Hz
	1430	r/min 50Hz
Rated Motor Voltage (+/-10%)	230/460	V/60Hz
	190/380	V/50Hz
Rated Motor Current	3.18/1.59	A (I <sub>n</sub> ) @ 60Hz
	3.56/1.78	A (I <sub>n</sub> ) @ 50Hz
Phase	3	∅
Locked Rotor Current @ High Voltage	12.15	A (I <sub>n</sub> ) @ 60Hz
FI Current @ 208V	3.43	A (I <sub>n</sub> ) @ 60Hz
Service Factor	1.15	@ 60Hz
	1	@ 50Hz
KVA Code	L	60Hz
	H	50Hz
Nominal Efficiency	85.5	% @ 60Hz
Nominal Power Factor	0.69	cosΦ @ 60Hz
Leads (Qty, Size)	9	0.75 mm2
Connection	YY/Y	-
Coil Resistance	-	Ω
Start Capacitor	-	μF/V
Run Capacitor	-	μF/V
VFD DUTY (S.F. 1.0)		
	RATIO	Hz
Variable Torque	30:1	2 - 60
Constant Torque	15:1	4 - 60
FULL LOAD TEMPERATURE RISE		
Full Load Temperature Rise	26	°C @ 60Hz
	-	°C @ 50Hz

GENERAL DATA		
Frame Size	80	
Enclosure	TEFC	
Mounting	B5	
Approximate Weight (lbs.)	26 lbs.	
Casing Material / Fan Cover	Cast Aluminum	Steel
Shaft Material	1045	
NEMA Design	-	
Degree of Protection (IP)	55	
Insulation Class / Temp Rise (60Hz)	F	B
Tropicalization	YES	
Duty	Cont. / S1	
Conduit Box Location	1-M20X1.5	
Feet Removable / Double Drilled	YES	NO
Paintwork	7024	
	Graphite Gray	
MECHANICAL DATA		
Bearing DE Side	6204 ZZ	
Bearing ODE Side	6204 ZZ	
Grease Type	Mobil Polyrex EM	
Compensation Ring (wavy washer)	NDE	
Moment of Inertia (lb-ft <sup>2</sup> )	-	
Sound Pressure @ 3 FT dBA	-	
SITE CONDITIONS		
Ambient Temperature (°C)	40	
Meters Above Sea Level (MASL)	1000	
HAZARDOUS LOCATIONS		
CSA Certified	Compliant Only	
Temperature Code	-	-

**Questions? Call 1.888.286.1820**



**Model MTP80B4DP-B5**  
MFG PN: T802-4



NAMEPLATE DATA	60Hz	50Hz
HP/kW	1/0.75	1/0.75
RPM	1745	1430
Voltage	230/460	190/380
Full Load Amps	3.18/1.59	3.56/1.78
Service Factor	1.15	1
KVA Code	L	H
Full Load Amps (208V)	3.43	-
Nominal Efficiency	85.5	83
Nominal Power Factor	0.69	-
Design	-	
Frame	80	
Enclosure Type	TEFC	
IP Rating	55	
Duty	Cont. / S1	
Insulation Class	F	
Ambient Rating	40	
Drive End Bearing	6204 ZZ	
Opposite Drive End Bearing	6204 ZZ	
Weight (lbs)	26	

NAMEPLATE LAYOUT		
<b>INDUSTRIAL THREE PHASE MOTOR</b> INVERTER DUTY 15:1 CT 30:1 VT - 1.0 SF		
MODEL	60Hz	50Hz
HP/KW		
RPM		
VOLT		
FLA		
SF		
KVA CODE		
NOM.EFF		
EFF 75%		
PF		
USABLE AT 208V		
MFG PN		
MFG DATE		
SER #		
DESIGN		
FRAME		
ENCL / IP	TEFC	55
DUTY		
INS CL		
AMB		
DE		
ODE		
WEIGHT	lbs	
IEC CLASS 1, DIV 2, GROUPS A, B, C AND D COMPLIANT		
MADE IN CHINA		

VFD DUTY (S.F. 1.0)	RATIO	Hz*
Variable Torque	30:1	2 - 60
Constant Torque	15:1	4 - 60

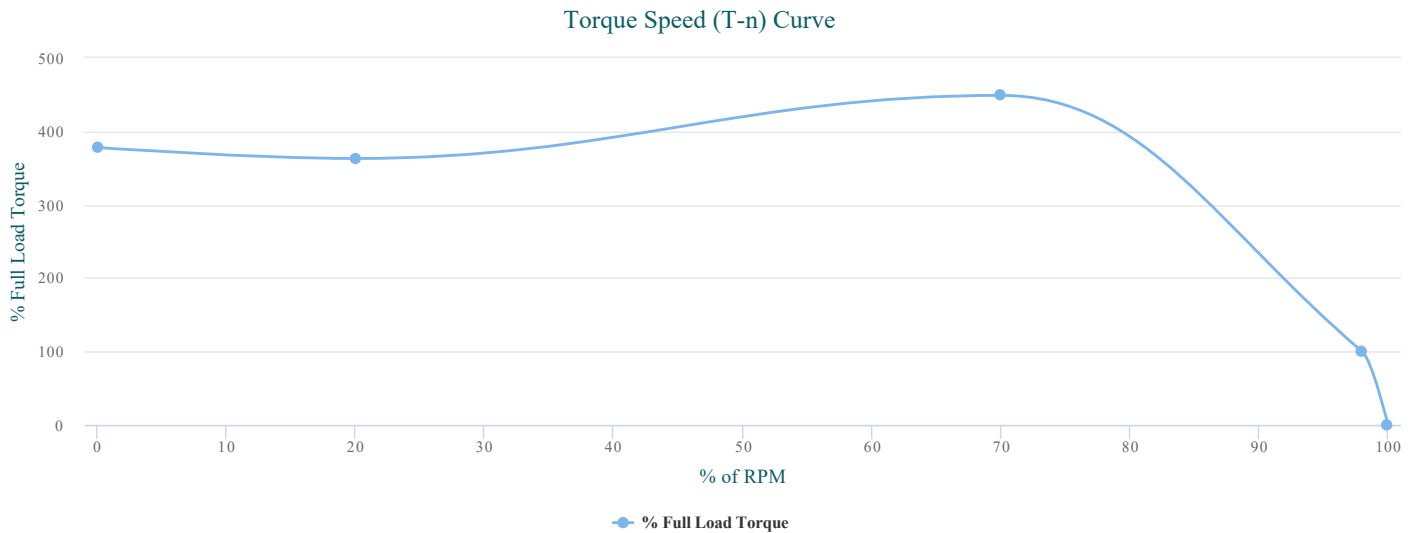
\*For max speed please contact Techtop Canada

HAZARDOUS LOCATIONS	COMPLIANT ONLY
Class / Division	Class I, Division II
Groups	A, B, C & D

Questions? Call 1.888.286.1820



**Model MTP80B4DP-B5**  
 MFG PN: T802-4



Highcharts.com

**PERFORMANCE LOAD VALUES, HIGH VOLTAGE, 60Hz**

**TYPICAL PERFORMANCE - NOT GUARANTEED VALUES**

TORQUE VALUES	TORQUE (lb-ft)	TORQUE (% FULL LOAD)	PERFORMANCE VALUES	
Locked Rotor Torque	11.4	378	Start Configuration	D0L
Pull-Up Torque	10.9	363	Starting Current (A)	12.15
Breakdown Torque	13.5	449	No-Load Current (A)	1.1
Full Load Torque	3	100	No-Load Power Factor	-

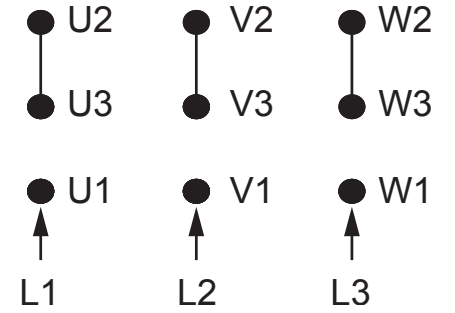
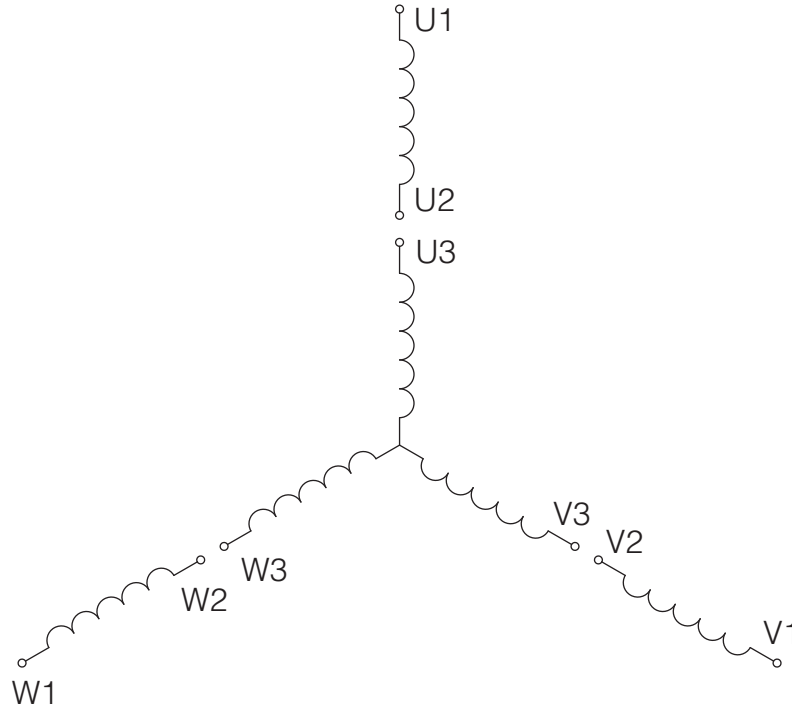
% OF RATED LOAD	25	50	75	100	125	S.F. 1.25
Line Amperes (A)	1.1	1.2	1.4	1.6	1.8	1.8
Efficiency (%)	71.2	81.5	84.6	85.5	85.3	85.3
Speed (r/min)	1787	1776	1763	1749	1734	1734
Power Factor (cosΦ)	0.29	0.47	0.6	0.7	0.76	0.76
Input Power (kW)	0.26	0.46	0.66	0.88	1.1	1.1

**Questions? Call 1.888.286.1820**

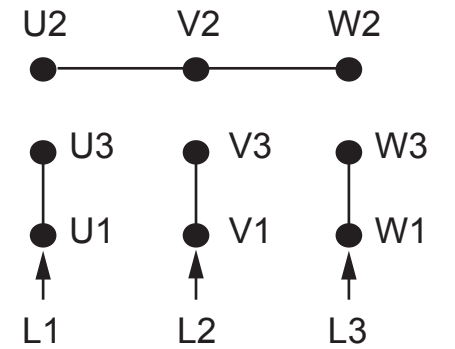


Model MTP80B4DP-B5

MFG PN: T802-4



HIGH VOLTAGE (Y)



LOW VOLTAGE (YY)

NOTES:

1. CCW ROTATION FACING ODE FOR CONNECTIONS SHOWN
2. TO REVERSE ROTATION, SWAP ANY TWO INPUT LINES
3. WHEN MOTOR IS IN F1 POSITION, LEADS INDICATED WITH "\*" EXIT THE CASING ABOVE THE CENTER LINE OF THE MOTOR, THE REMAINING LEADS EXIT BELOW THE CENTER LINE
4. LEADS MUST BE NUMBERED AND COLORED AS SHOWN
5. DIAGRAMS FOR REFERENCE ONLY



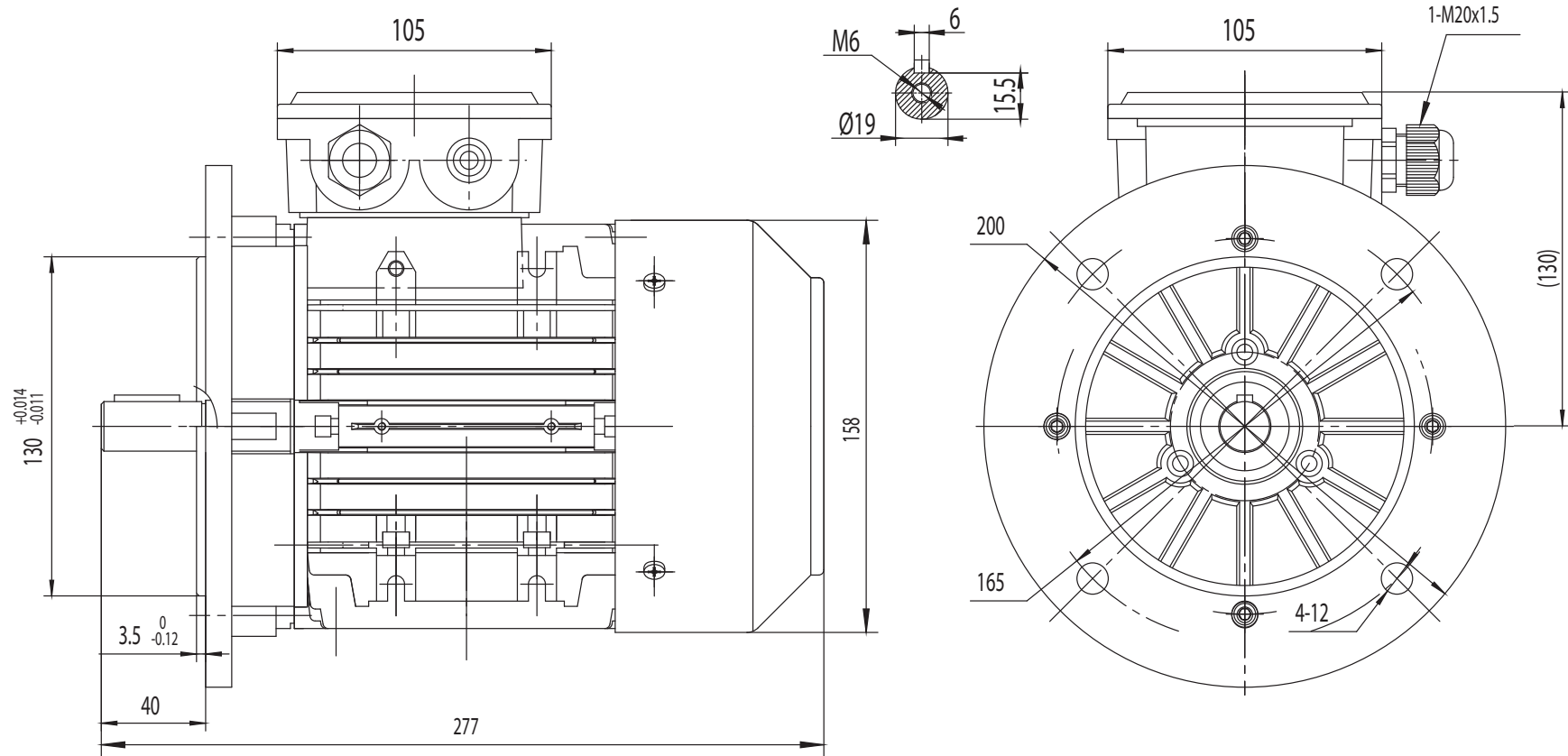
IEC 30 YY/Y 9-Lead/9-Post Dual Voltage

<b>DRAWING NUMBER:</b>	IEC-3-9-YY-Y	<b>ISSUED DATE</b>	05/05/23
<b>CONNECTION:</b>	YY/Y	METRIC IE3 PREMIUM MOTORS	
<b>NUMBER OF LEADS:</b>	9		
<b>THERMAL PROTECTION:</b>	Optional		



Model MTP80B4DP-B5

MFG PN: T802-4



IE3 TEFC 80

DRAWING NUMBER:

GR3-AL-TF-80B5

ISSUED DATE

05/05/23

DIMENSIONS:

mm

MOUNTING:

B5

CASING MATERIAL:

Cast Aluminum

METRIC IE3 PREMIUM MOTORS