

IEC | **Model MTP63C4D-B14**
MFG PN: TM633-4

Model MTP63C4D-B14

Product Data Package



MODEL	HP	RPM	VOLTAGE	PHASE	Hz	FRAME	MOUNT	ENCLOSURE
MTP63C4D-B14	0.35	1650	230/460	3	60	63	B14	TEFC

Toronto

TOLL FREE 1.888.286.1820
PHONE 905.829.1001
EMAIL info@techttopcanada.com

Montreal

TOLL FREE 1.844.354.5111
PHONE 514.354.1002
EMAIL infoQC@techttopcanada.com

Moncton

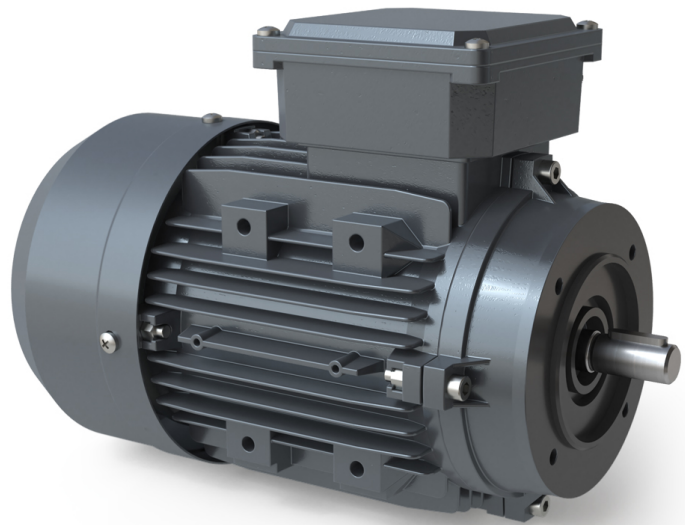
PHONE 506.386.5794
EMAIL infoNB@techttopcanada.com

Winnipeg

PHONE 204.633.2779
EMAIL infoMB@techttopcanada.com

Vancouver

PHONE 604.525.1551
EMAIL infoBC@techttopcanada.com



Index

Motor General Data Sheet	P 2
Nameplate Information	P 3
Technical Performance Data	P 4
Motor General Wiring Diagram	P 5
Motor General Outline Drawing	P 6

IEC | **Model MTP63C4D-B14**
MFG PN: TM633-4

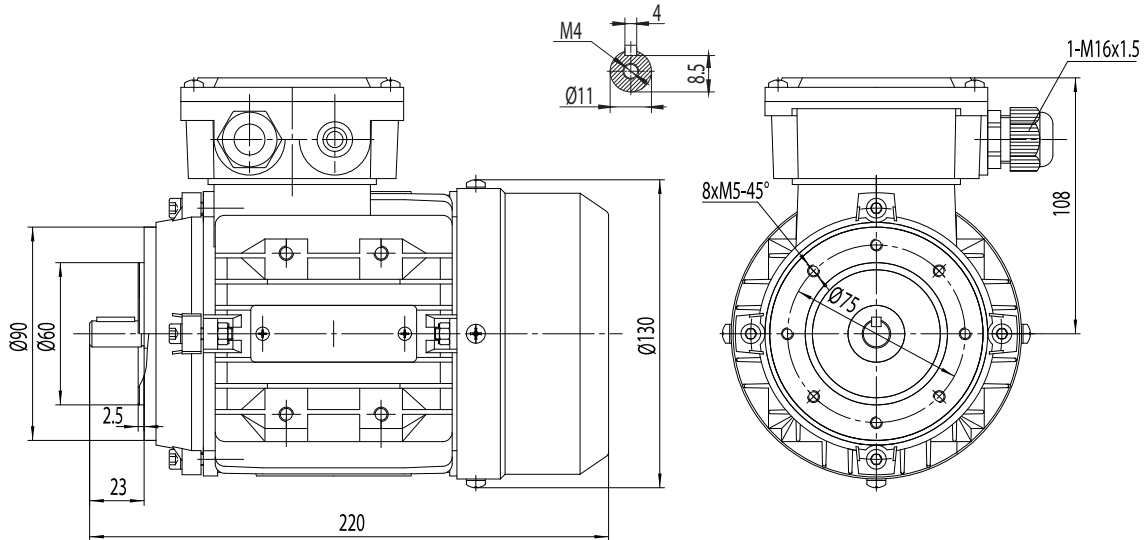
ELECTRICAL DATA		
Rated Motor Output Power	0.35	HP
	0.25	kW
Rated Motor Speed	1650	r/min 60Hz
	1310	r/min 50Hz
Rated Motor Voltage (+/-10%)	230/460	V/60Hz
	190/380	V/50Hz
Rated Motor Current	1.56/0.78	A (I _n) @ 60Hz
	1.84/0.92	A (I _n) @ 50Hz
Phase	3	∅
Locked Rotor Current @ High Voltage	-	A (I _n) @ 60Hz
FI Current @ 208V	1.57	A (I _n) @ 60Hz
Service Factor	1.15	@ 60Hz
	1	@ 50Hz
KVA Code	J	60Hz
	F	50Hz
Nominal Efficiency	66.1	% @ 60Hz
Nominal Power Factor	0.6	cosΦ @ 60Hz
Leads (Qty, Size)	9	0.3 mm2
Connection	YY/Y	-
Coil Resistance	-	Ω
Start Capacitor	-	μF/V
Run Capacitor	-	μF/V
VFD DUTY (S.F. 1.0)		
	RATIO	Hz
Variable Torque	10:1	6 - 60
Constant Torque	4:1	12 - 60
FULL LOAD TEMPERATURE RISE		
Full Load Temperature Rise	-	°C @ 60Hz
	-	°C @ 50Hz

GENERAL DATA		
Frame Size	63	
Enclosure	TEFC	
Mounting	B14	
Approximate Weight (lbs.)	11 lbs.	
Casing Material / Fan Cover	Cast Aluminum	Steel
Shaft Material	1045	
NEMA Design	-	
Degree of Protection (IP)	55	
Insulation Class / Temp Rise (60Hz)	F	B
Tropicalization	YES	
Duty	Cont. / S1	
Conduit Box Location	1-M16X1.5	
Feet Removable / Double Drilled	YES	NO
Paintwork	7024	
	Graphite Gray	
MECHANICAL DATA		
Bearing DE Side	6201 ZZ	
Bearing ODE Side	-	
Grease Type	Mobil Polyrex EM	
Compensation Ring (wavy washer)	NDE	
Moment of Inertia (lb-ft ²)	-	
Sound Pressure @ 3 FT dBA	-	
SITE CONDITIONS		
Ambient Temperature (°C)	40	
Meters Above Sea Level (MASL)	1000	
HAZARDOUS LOCATIONS		
CSA Certified	Compliant Only	
Temperature Code	-	-

Questions? Call 1.888.286.1820



Model MTP63C4D-B14
MFG PN: TM633-4



NAMEPLATE DATA	60Hz	50Hz
HP/kW	0.35/0.25	0.35/0.25
RPM	1650	1310
Voltage	230/460	190/380
Full Load Amps	1.56/0.78	1.84/0.92
Service Factor	1.15	1
KVA Code	J	F
Full Load Amps (208V)	1.57	-
Nominal Efficiency	66.1	-
Nominal Power Factor	0.6	-
Design	-	
Frame	63	
Enclosure Type	TEFC	
IP Rating	55	
Duty	Cont. / S1	
Insulation Class	F	
Ambient Rating	40	
Drive End Bearing	6201 ZZ	
Opposite Drive End Bearing	-	
Weight (lbs)	11	

NAMEPLATE LAYOUT		
TECHTOP INDUSTRIAL THREE PHASE MOTOR INVERTER DUTY 4:1 CT 10:1 VT - 1.0 SF		
MODEL	MFG PN	
60Hz 50Hz		MFG DATE
HP/KW		SER #
RPM		DESIGN
VOLT		FRAME
FLA		ENCL / IP
SF		TEFC 55
KVA CODE		DUTY
NOM.EFF		INS CL
EFF 75%		AMB
PF		DE
USABLE AT 208V	A	ODE
TECHTOPCANADA.COM		WEIGHT
CLASS 1, DIV 2, GROUPS A, B, C AND D COMPLIANT		lbs
		MADE IN CHINA

VFD DUTY (S.F. 1.0)	RATIO	Hz*
Variable Torque	10:1	6 - 60
Constant Torque	4:1	12 - 60

*For max speed please contact Techtop Canada

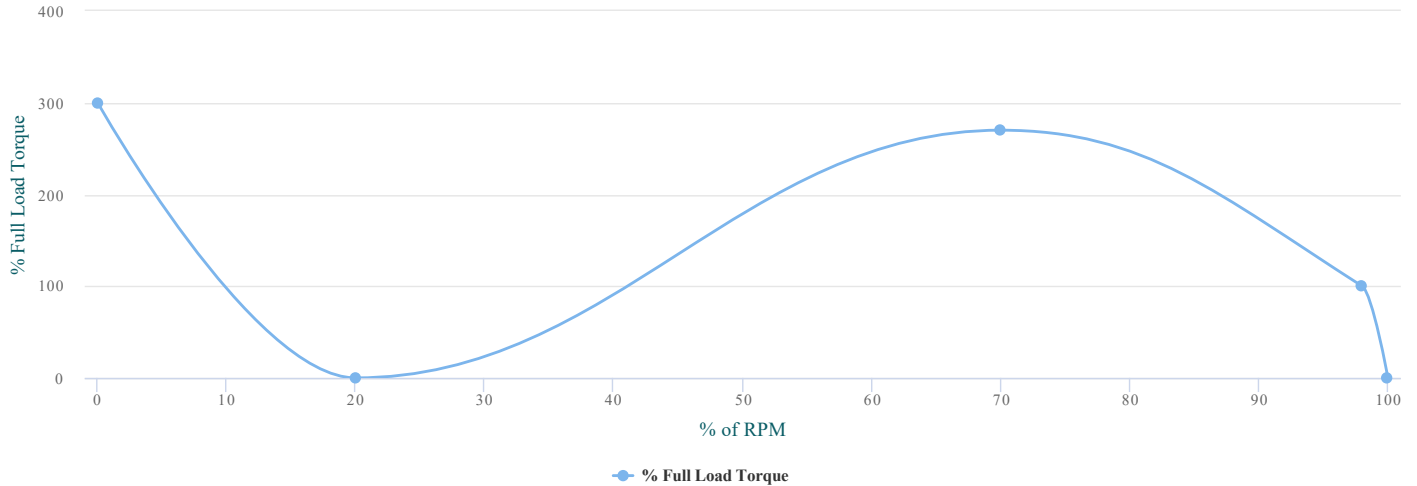
HAZARDOUS LOCATIONS	COMPLIANT ONLY
Class / Division	Class I, Division II
Groups	A, B, C & D

Questions? Call 1.888.286.1820



Model MTP63C4D-B14
 MFG PN: TM633-4

Torque Speed (T-n) Curve



Highcharts.com

PERFORMANCE LOAD VALUES, HIGH VOLTAGE, 60Hz

TYPICAL PERFORMANCE - NOT GUARANTEED VALUES

TORQUE VALUES	TORQUE (lb-ft)	TORQUE (% FULL LOAD)	PERFORMANCE VALUES	
Locked Rotor Torque	3.3	300	Start Configuration	DOL
Pull-Up Torque	0	-	Starting Current (A)	-
Breakdown Torque	3	270	No-Load Current (A)	-
Full Load Torque	1.1	100	No-Load Power Factor	-

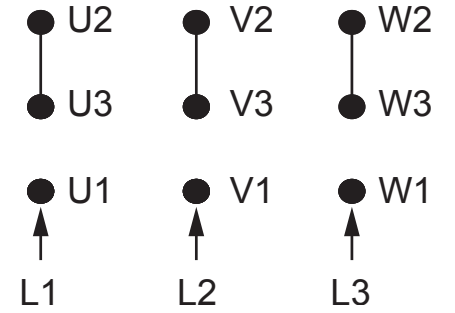
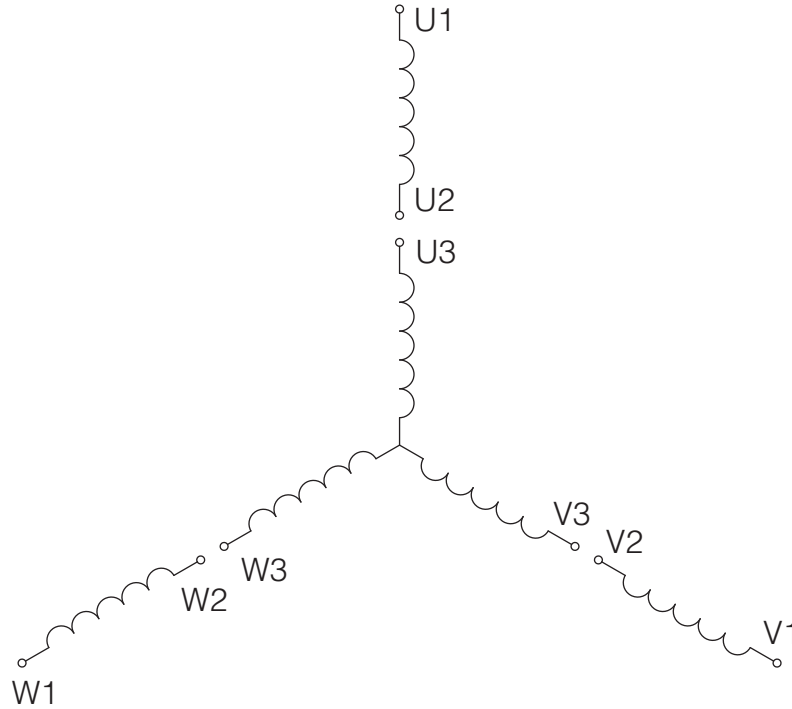
% OF RATED LOAD	25	50	75	100	125	S.F. 1.25
Line Amperes (A)	-	-	-	-	-	-
Efficiency (%)	-	-	-	-	-	-
Speed (r/min)	-	-	-	-	-	-
Power Factor (cosΦ)	-	-	-	-	-	-
Input Power (kW)	-	-	-	-	-	-

Questions? Call 1.888.286.1820

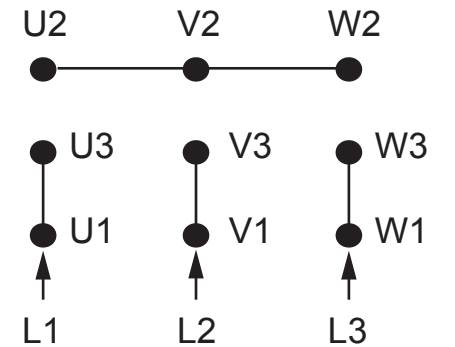


Model MTP63C4D-B14

MFG PN: TM633-4



HIGH VOLTAGE (Y)



LOW VOLTAGE (YY)

NOTES:

1. CCW ROTATION FACING ODE FOR CONNECTIONS SHOWN
2. TO REVERSE ROTATION, SWAP ANY TWO INPUT LINES
3. WHEN MOTOR IS IN F1 POSITION, LEADS INDICATED WITH "*" EXIT THE CASING ABOVE THE CENTER LINE OF THE MOTOR, THE REMAINING LEADS EXIT BELOW THE CENTER LINE
4. LEADS MUST BE NUMBERED AND COLORED AS SHOWN
5. DIAGRAMS FOR REFERENCE ONLY



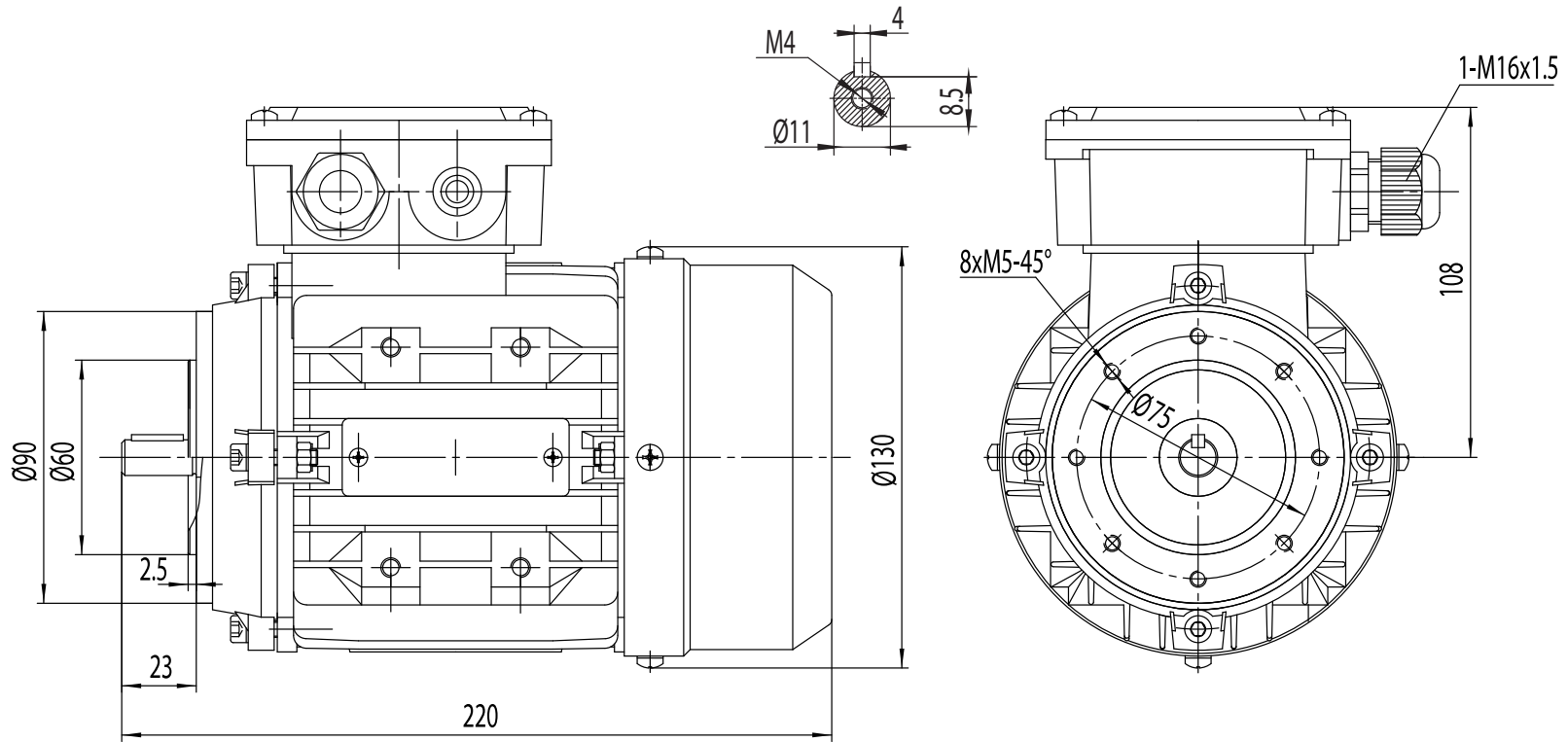
IEC 3Ø YY/Y 9-Lead/9-Post Dual Voltage

DRAWING NUMBER:	IEC-3-9-YY-Y	ISSUED DATE	08/05/23
CONNECTION:	YY/Y	METRIC IE1 ALUMINUM MOTORS	
NUMBER OF LEADS:	9		
THERMAL PROTECTION:	Optional		



Model MTP63C4D-B14

MFG PN: TM633-4



IE1 TEFC 63

DRAWING NUMBER:

BL3-AL-TF-63B14

ISSUED DATE

08/05/23

DIMENSIONS:

mm

MOUNTING:

B14

CASING MATERIAL:

Cast Aluminum

METRIC IE1 ALUMINUM MOTORS